

# CITY OF ELKO

## RDA - 400 BLOCK ALLEY IMPROVEMENTS

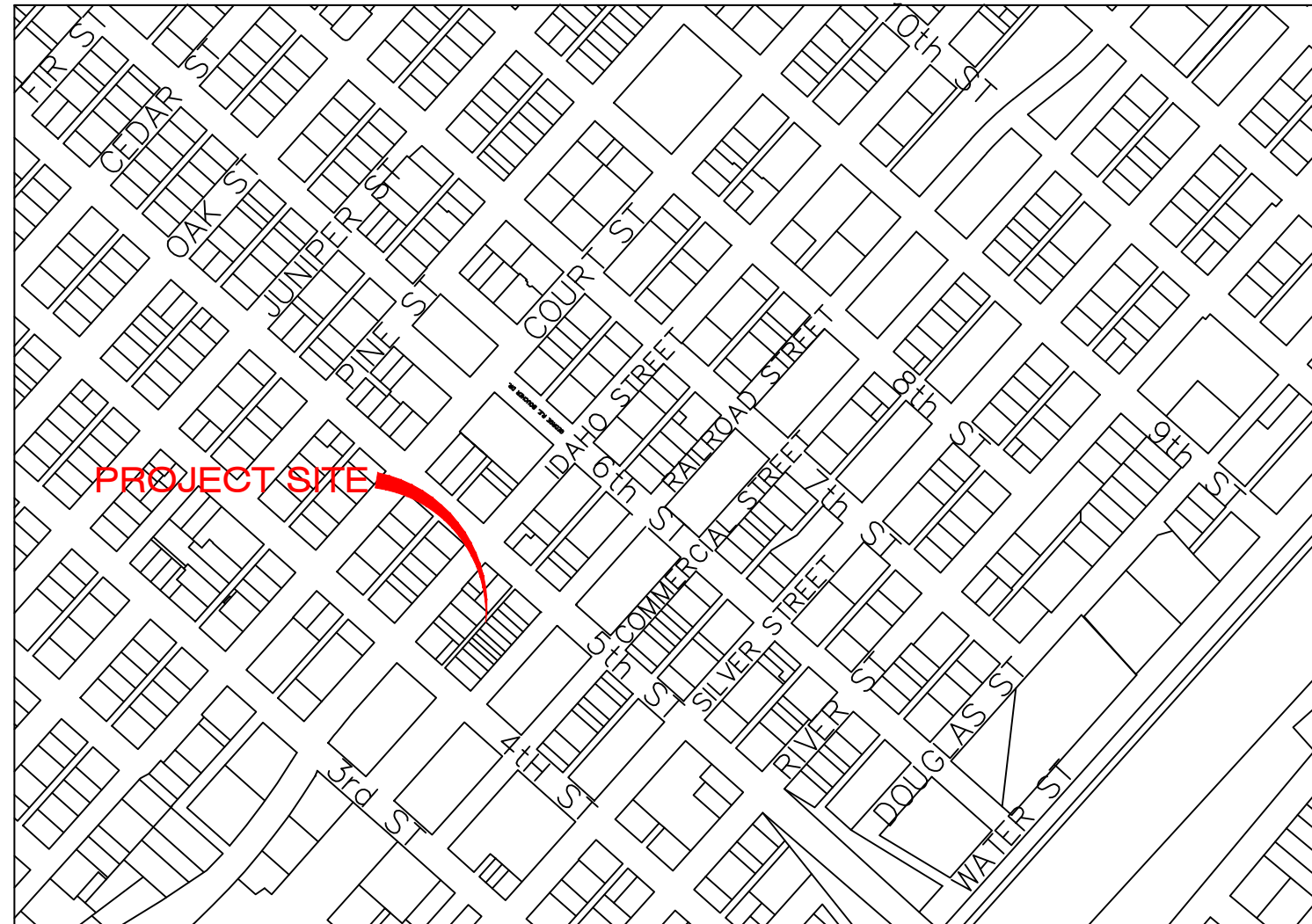
**OWNER/DEVELOPER:**

**CITY OF ELKO**  
**ATTN: MR. BOB THIBAUT**  
**1751 COLLEGE AVE.**  
**ELKO, NV 89801**  
**PH.: (775) 777-7110**  
**FAX: (775) 774-7119**

**ENGINEERS**



**1751 COLLEGE AVE.**  
**ELKO, NV 89801**  
**PH.: (775) 777-7110**  
**FAX: (775) 774-7119**



**VICINITY MAP**

**BASIS OF BEARING:**

NORTH AMERICAN DATUM OF 1983/2007 PER THE NATIONAL GEODETIC SURVEY'S (NGS) PUBLISHED COORDINATES FOR NGS STATION "FUZZY", A STANDARD BRONZE DISK STAMPED "FUZZY 1957" SET IN THE TOP OF A ROUND CONCRETE POST WHICH PROJECTS 2 INCHES ABOVE THE GROUND, OF LATITUDE 40° 54' 25.01325"N, LONGITUDE 115° 41' 47.52810"W AND NEVADA STATE PLANE COORDINATE SYSTEM EAST ZONE GRID COORDINATES OF 28,488,522.75N, 624,878.27E. GROUND COORDINATES ARE USED HEREIN AND REFLECT GRID COORDINATES MULTIPLIED BY THE CITY OF ELKO ACCEPTED COMBINED GRID TO GROUND SCALE FACTOR OF 1.000357 WITH THE RESULTING GROUND COORDINATES FOR NGS "FUZZY" BEING 28,498,693.15N, 625,101.35E.

**BASIS OF ELEVATION:**

NORTH AMERICAN VERTICAL DATUM OF 1988, PER THE NATIONAL GEODETIC SURVEY'S (NGS) PUBLISHED ELEVATION FOR NGS BENCHMARK B 52, A STABILITY CLASS A MARK STAMPED "B 52 1934" SET VERTICALLY IN THE NORTHWEST WALL OF THE ELKO MAIN POST OFFICE (BRICK WITH STONE CORNERS), 0.9 FOOT SOUTHWEST OF THE NORTH CORNER, AND 4 FEET ABOVE THE GROUND.

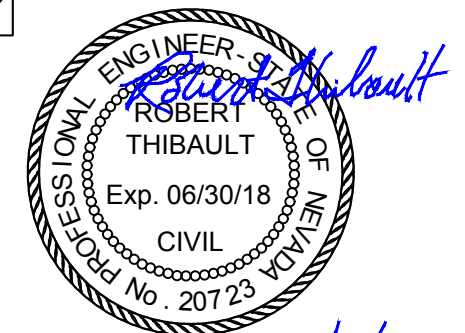
2 working days **Call before you Dig.**

**1-800-227-2600**

AVOID CUTTING UNDERGROUND UTILITIES

**SHEET INDEX:**

TITLE SHEET \_\_\_\_\_ C1  
 SITE PLAN \_\_\_\_\_ C2  
 DETAIL SHEET \_\_\_\_\_ D1



CITY OF ELKO  
 1751 COLLEGE AVE  
 ELKO, NEVADA 89801  
 775-777-7210

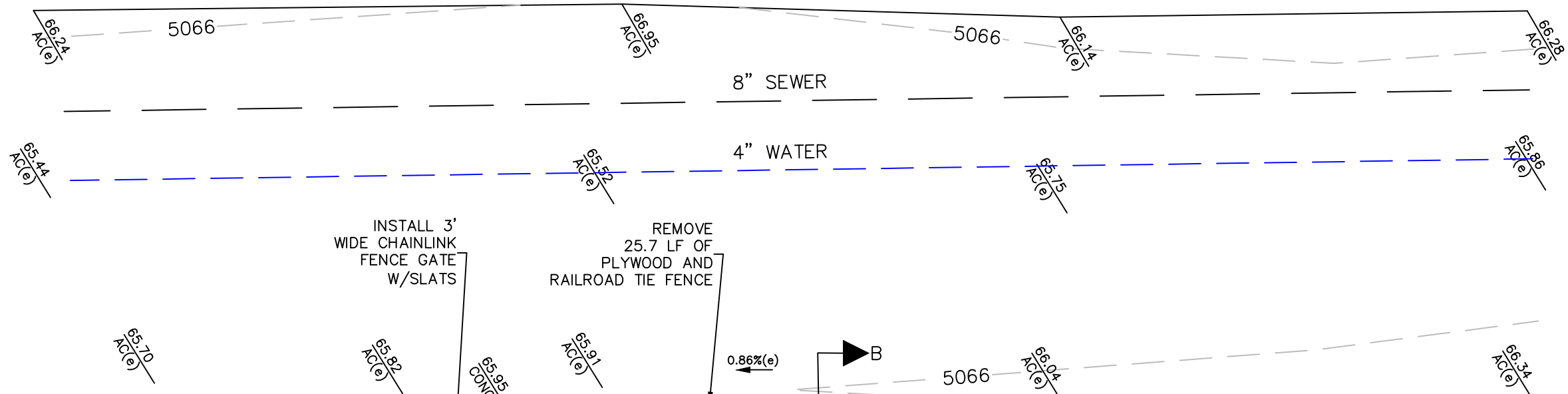
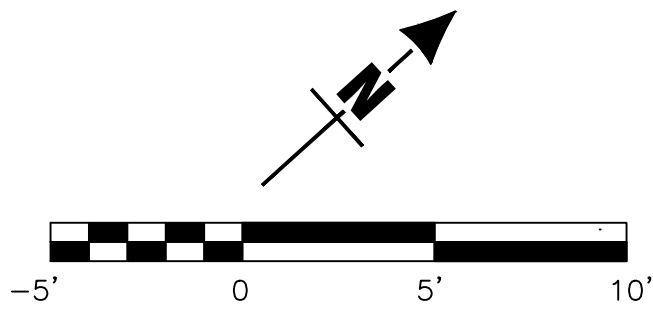
**SCALE**

HORZ \_\_\_\_\_ NONE \_\_\_\_\_  
 VERT \_\_\_\_\_ NONE \_\_\_\_\_

DESIGNED BY JJ  
 DRAWN BY ACAD 2017  
 CHECKED BY BT  
 DATE 6/2/2017

*RDA-400 BLOCK  
 ALLEY IMPROVEMENTS  
 TITLE SHEET*

*SHEET  
 C1*



# LEGEND

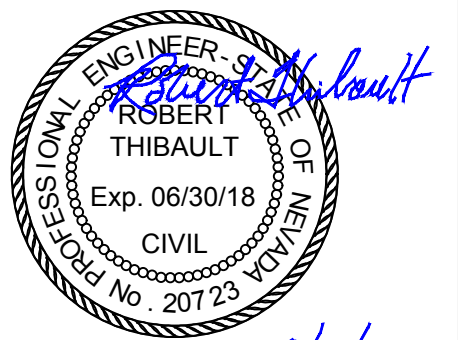
EXISTING		PROPOSED
- - - 4174 - - -	CONTOUR LINE	<u>4174</u>
+ 4163.1	GROUND ELEVATION	+ 4163.1
	STREET LIGHT	
	EDGE OF PAVEMENT AC PAVING	
	TO BE REMOVED	
	CONCRETE	
	SURVEY MONUMENT	
	CONTROL POINT	
- X - - - X - - -	FENCE	- X - - - X - - -

SAWCUT AND REMOVE  
59.5 SF OF CONCRETE

CONST. 6' HIGH  
CHAINLINK  
FENCE 33.4 LF  
W/ SLATS.  
REF. DETAIL  
SHEET.

CONST. A 1.5' DIAMETER  
BASE FOR LIGHT POLE.  
(EG340-CARMANAH SOLAR  
LIGHT OR APPROVED EQUEL)

CONST. 4" THICK CONCRETE  
TRASH ENCLOSURE PAD (59.4SF)  
W/ 6" BARRIER CURB



6/6/17



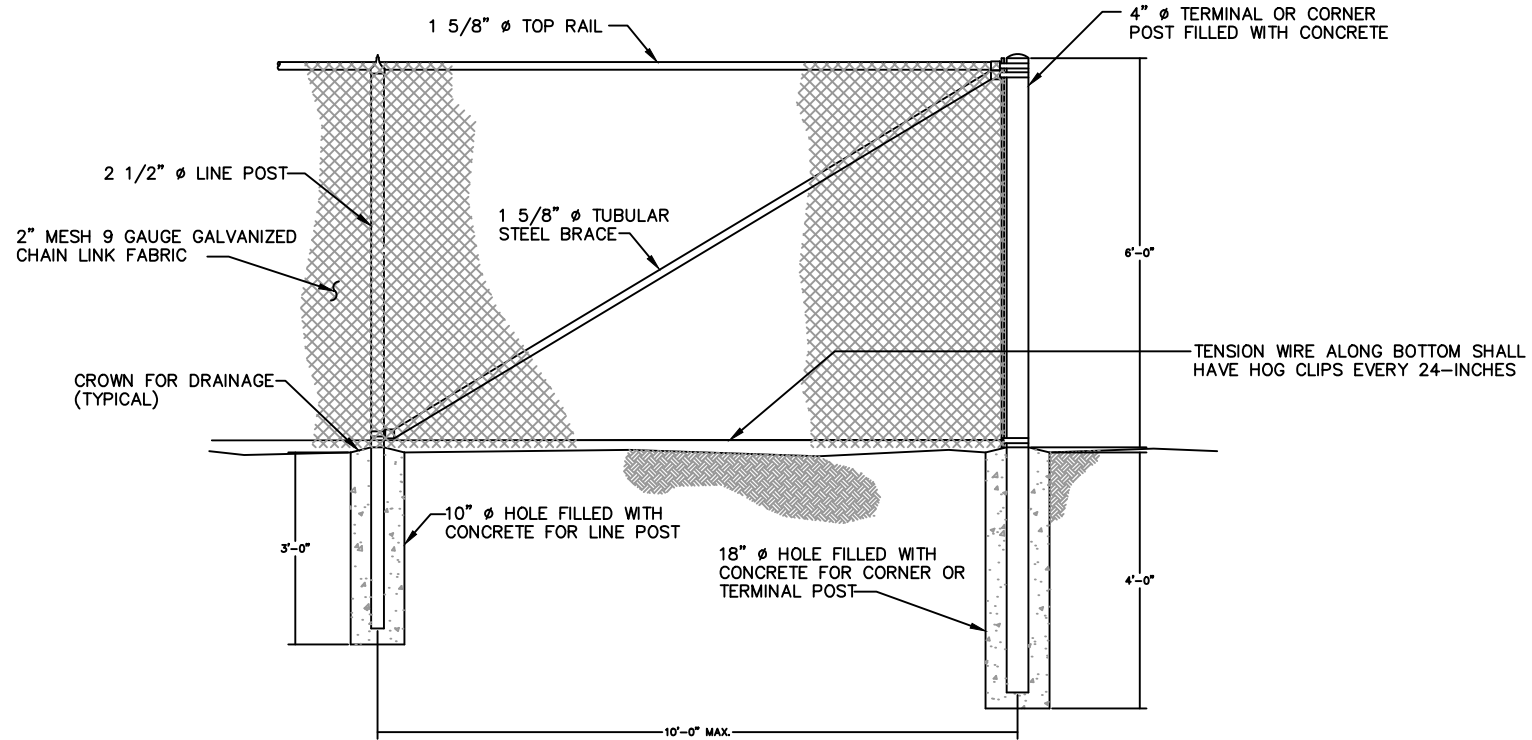
CITY OF ELKO  
1751 COLLEGE AVE  
ELKO, NEVADA 89801  
775-777-7210

**SCALE**  
HORZ 1"=5'  
VERT none

DESIGNED BY JJ  
DRAWN BY ACAD 2017  
CHECKED BY BT  
DATE 6/2/2017

## RDA-400 BLOCK ALLEY IMPROVEMENTS SITE PLAN

SHEET  
**C2**



**CONSTRUCTION NOTES:**

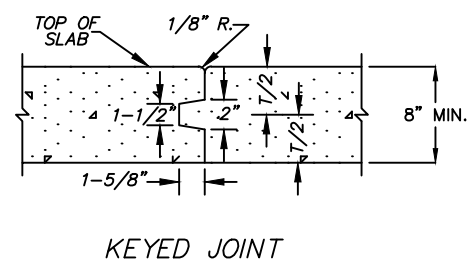
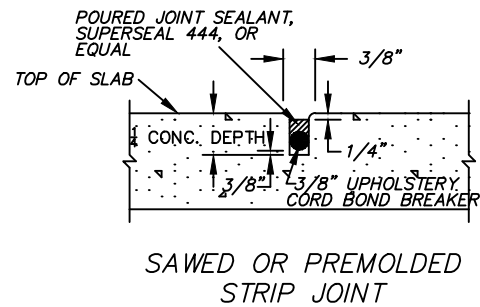
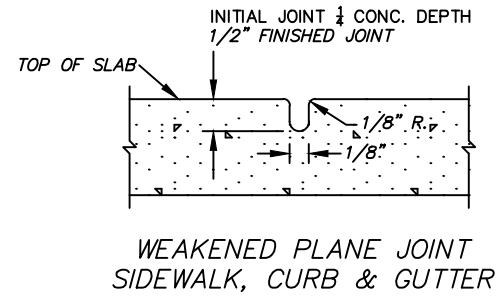
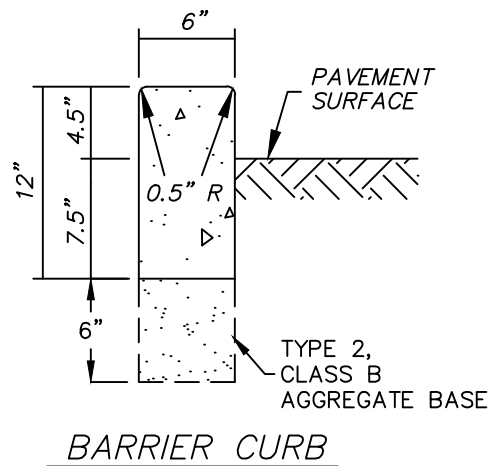
1. ALL GATE POST SHALL BE 6-INCHES IN DIAMETER, SCHEDULE 80 STEEL.
2. ALL GATE POSTS CORNER POSTS AND TERMINAL POSTS SHALL BE A BURIED NO LESS THAN 4'-0".

**CHAINLINK FENCE**

NOTE: NOT TO SCALE.

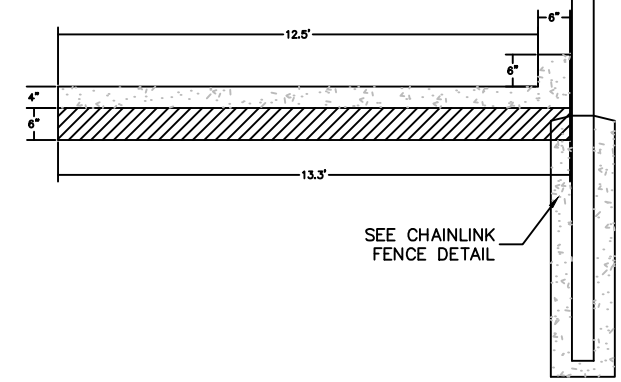
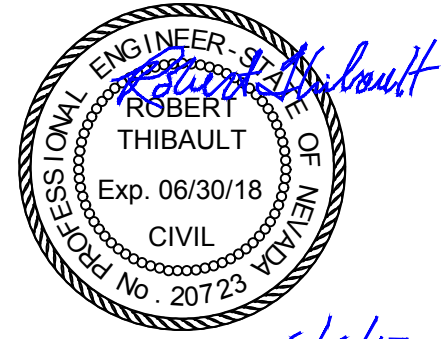
**NOTES:**

1. CONCRETE SHALL MEET THE REQUIREMENTS OF SECTION 337.10 OF THE LATEST EDITION OF THE STANDARD SPECIFICATIONS FOR PUBLIC WORKS CONSTRUCTION.
2. ALL CONCRETE SHALL HAVE WEAKENED PLANE JOINTS EVERY 5 FEET AND COINCIDE WITH THE ADJACENT CURB WEAKENED PLANE JOINTS. THE WEAKENED PLANE JOINTS PLACED EVERY 5' MAY BE SAWCUT WITH CITY OF ELKO APPROVAL AND SHALL MEET THE REQUIREMENTS OF SECTION 314 OF THE LATEST EDITION OF THE STANDARD SPECIFICATIONS FOR PUBLIC WORKS CONSTRUCTION.
3. AGGREGATE BASE MATERIAL SHALL MEET THE REQUIREMENTS OF SECTION 302 & 308 OF THE LATEST EDITION OF THE STANDARD SPECIFICATIONS FOR PUBLIC WORKS CONSTRUCTION.



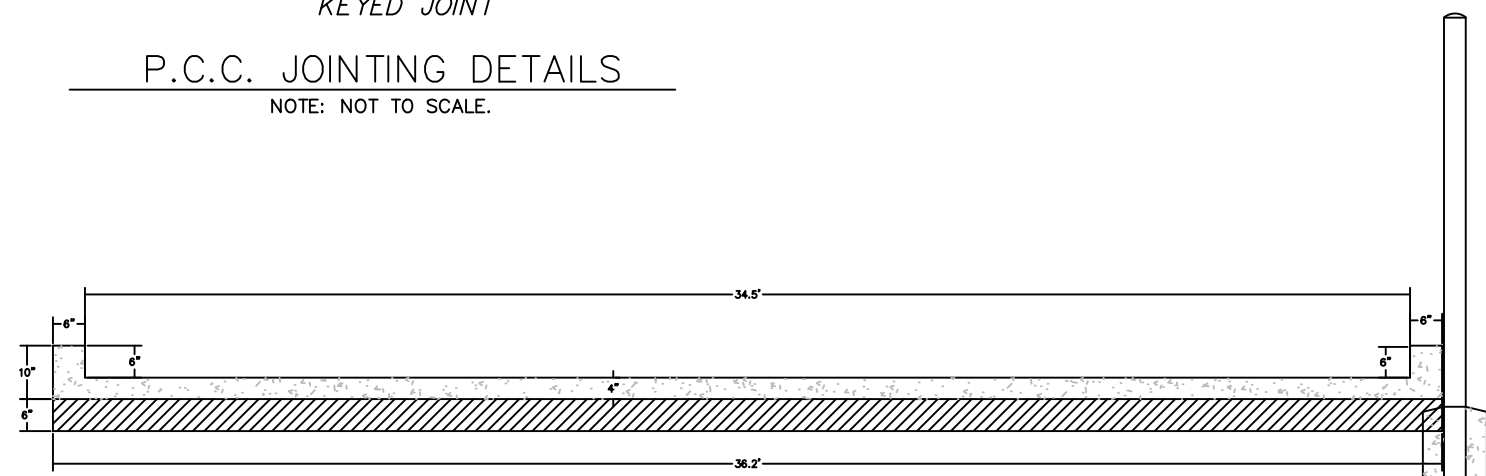
**P.C.C. JOINTING DETAILS**

NOTE: NOT TO SCALE.



**CROSS SECTION BB**

NOTE: NOT TO SCALE.



**CROSS SECTION CC**

NOTE: NOT TO SCALE.



CITY OF ELKO  
1751 COLLEGE AVE  
ELKO, NEVADA 89801  
775-777-7210

**SCALE**  
HORZ 1"=5'  
VERT none

DESIGNED BY JJ  
DRAWN BY ACAD 2017  
CHECKED BY BT  
DATE 6/2/2017

**RDA-400 BLOCK  
ALLEY IMPROVEMENTS  
DETAIL SHEET**

**SHEET  
D1**