



**CITY OF ELKO
CITY CLERK DEPARTMENT
1751 COLLEGE AVENUE
ELKO, NEVADA 89801
(775)777-7126
(775)777-7129 FAX**

**CITY OF ELKO - ADDENDUM NUMBER 2
WRF Secondary Clarifier #3
PWP#EL-2018-066
March 1st, 2018**

PLEASE ACKNOWLEDGE RECEIPT OF THE ADDENDUM AND FAX BACK TO (775) 777-7129 OR EMAIL TO CITYCLERK@CI.ELKO.NV.US. THANK YOU.

Addendum Receipt:	_____	_____
	Signature	Date

Company Name		

This addendum addresses additions, changes, and clarifications to the Contract Documents, Technical Specifications, and the Contract Drawings for the City of Elko Water Reclamation Facility Secondary Clarifier #3 Project.

General:

The Bid opening date is to remain the same as noted in the bid documents: **March 6th, 2018 at 3:00 PM.**

Changes:

1. **Volume 2- Technical Specifications, Section 098000, Part 2.3.A is replaced in its entirety with following:**
 - A. System A: Concrete - Immersion, Non-Potable:
 1. Examples of application areas for this system include the following surfaces:

- a. Secondary Clarifier Launderers
2. Surface Preparation: All oil, grease, waste and chemical contaminants must be removed from the surface of the concrete prior to preparation in accordance with NACE SP0892 and SSPC-SP13/NACE 6. Surface preparation requirement is to expose a sound, uniform surface texture confirming to the minimum recommended ICRI-CSP5. Existing concrete to receive protective coating system must be sound and capable of supporting the Protective Lining System.
3. Coating System:
 - a. Surfacer/Filler: The appropriate cementitious repair mortar or epoxy cementitious resurfacer material shall be applied to the entire, prepared surface to level surface suitable for coating.

Tnemec Series 218 MortarClad Epoxy cementitious resurfacer shall be used for filling voids, bugholes, static cracks and joints, and for general concrete patching, and to provide a uniform, void free surface for Epoxy Lining application. The Series 218 shall be applied to the entire surface at a minimum thickness of 1/16 inch.
 - b. Primer: Tnemec Series N69 Hi-Build Epoxoline II at 4.0 – 6.0 mils dft
 - c. Intermediate: Tnemec Series N69 Hi-Build Epoxoline II at 4.0 – 6.0 mils dft
 - d. Finish: Tnemec Series 290 CRU at 2.0 – 3.0 mils dft

Additions:

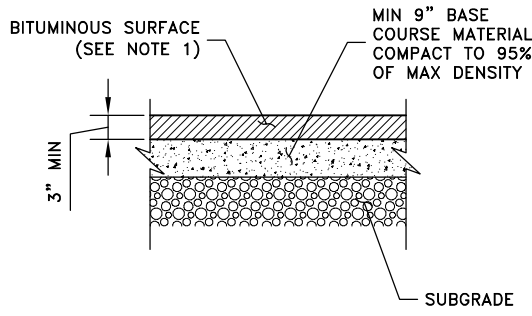
N/A

Clarifications:

1. Volume 3- Drawings

- a. **Drawing C-2** - Existing asphalt removed and /or damaged by the construction efforts shall be replaced as noted in the attached detail. The detail is to be incorporated into contract documents (Drawing CD-1) as Standard Detail CD-108.
- b. **Drawing SCS-4, Sludge Ring Plan (Top Steel Detail)** – The radial bar shall be #5 and not #7 as indicated in this detail.

ATTACHEMENTS



NOTE:

1- PG 6422 PER STANDARD SPECIFICATIONS "ORANGE BOOK".

PAVEMENT SECTION

SCALE: NTS



CITY OF ELKO WATER RECLAMATION FACILITY

SECONDARY CLARIFIER #3
DETAILS
CIVIL



AQUA
ENGINEERING
533 W 2600 S, SUITE 275, BOUNTIFUL, UT 84010
PHONE (801) 299-1327 FAX (801) 299-0153

SHEET

CD-1A



DRAWING IS TO SCALE
IF BAR MEASURES:
1" = FULL SCALE
1/2" = HALF SCALE

NO.	DATE	DESIGN	DRAWN	CHECKED
B	3/1/18	BP	KRB	JRL
REVISIONS				