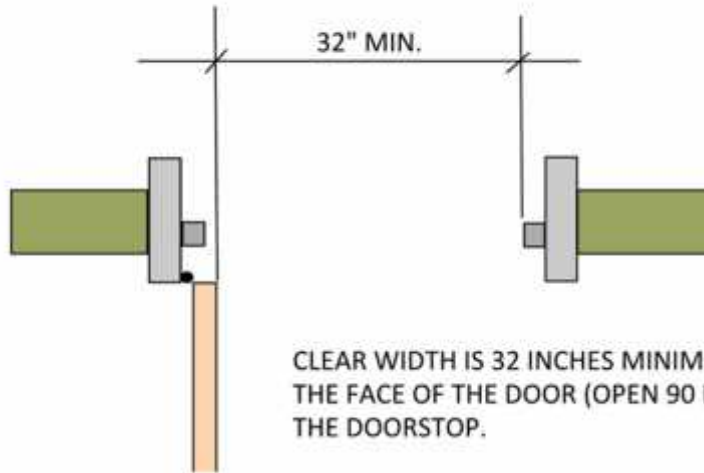


## Accessibility

### ICC A117.1 2009 404 Doors and Doorways

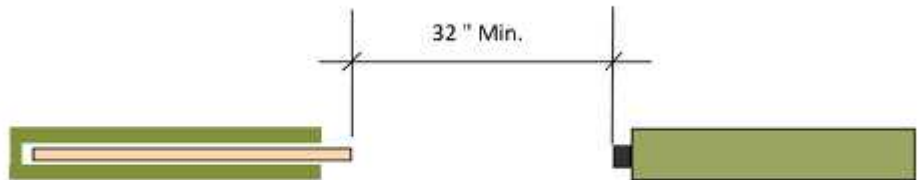
When a door must be manually operated by the user, it must comply with all of the applicable provisions of Section 404. This includes the width, maneuvering clearances, arrangements, hardware and other items that affect the usability of the door. The following figures show minimum requirements for maneuvering clearances at manual swinging doors. These requirements can affect the size of rooms, the layout of rooms, and possibly the width of hallways. It is very important to take into consideration these requirements when designing a floor layout.

FIGURE 404.2.2  
CLEAR WIDTH OF DOORWAYS



CLEAR WIDTH IS 32 INCHES MINIMUM MEASURED FROM THE FACE OF THE DOOR (OPEN 90 DEGREES) TO THE FACE OF THE DOORSTOP.

SLIDING DOOR



SLIDING DOOR: CLEAR WIDTH IS 32 INCHES MINIMUM MEASURED FROM THE END OF THE DOOR TO THE FACE OF THE DOORSTOP.

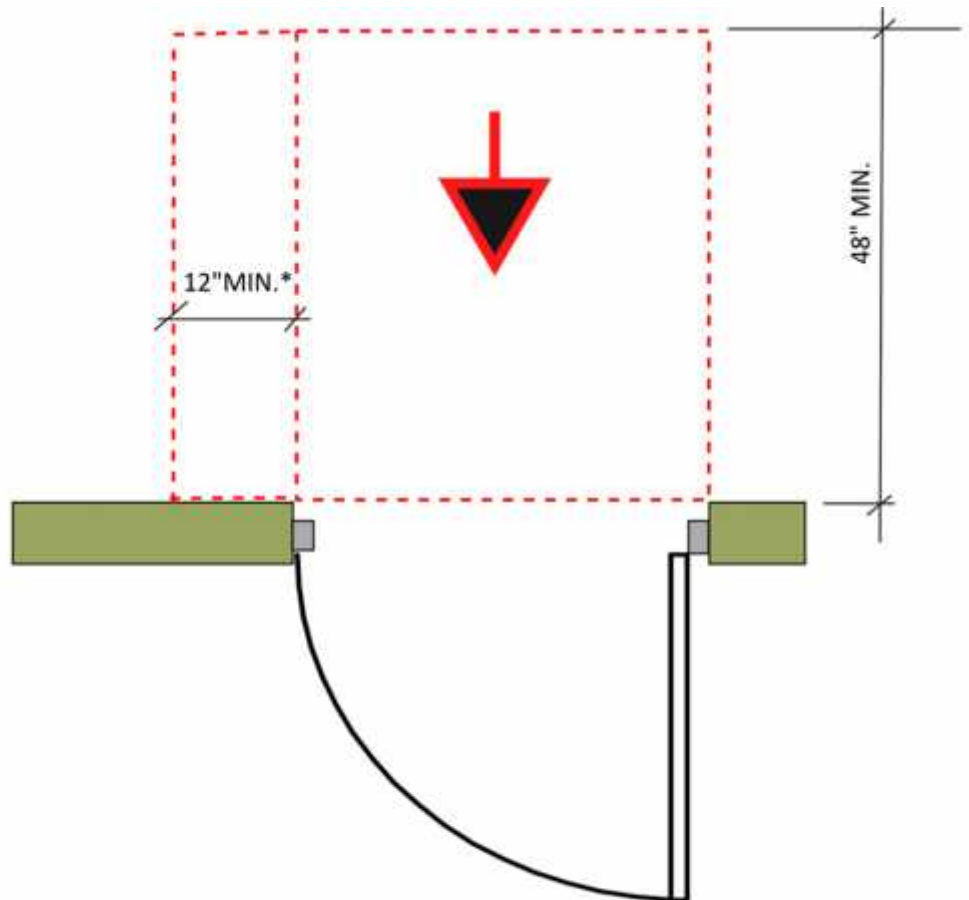
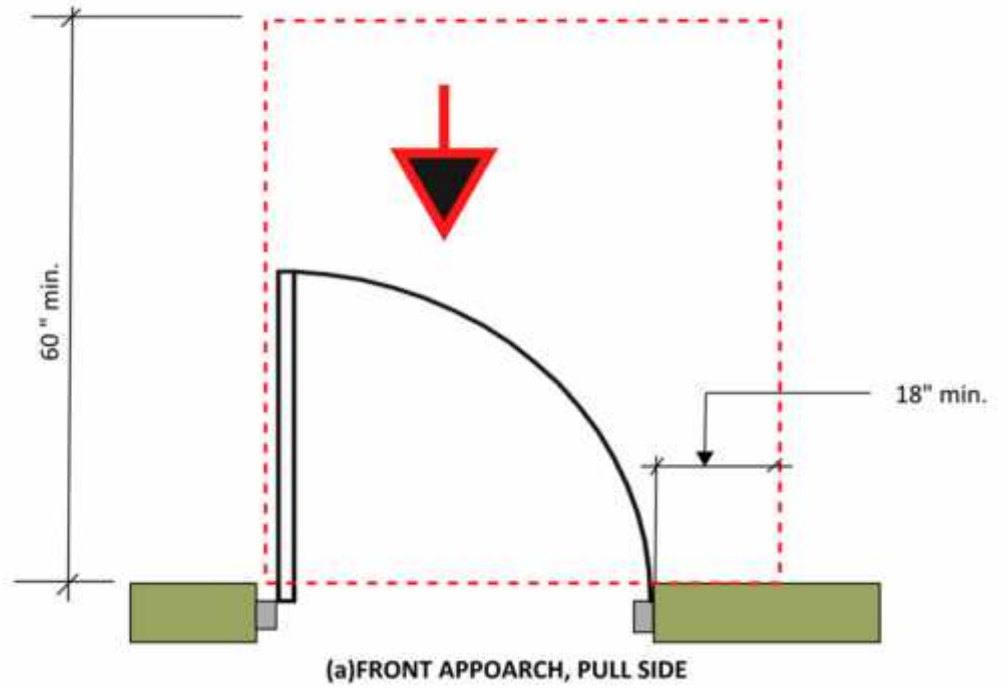




CITY OF ELKO

# Building Department

FIGURE 404.2.3.2  
MANEUVERING CLEARANCE AT MANUAL SWINGING DOOR  
(a) through (g)

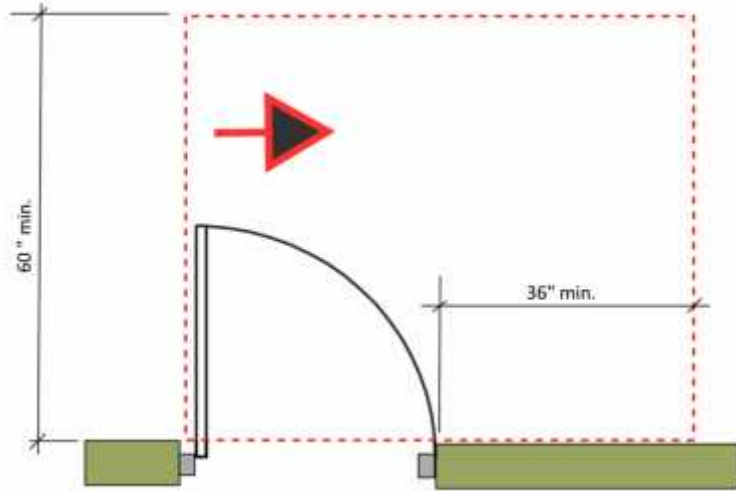


\*IF BOTH CLOSER AND LATCH ARE PROVIDED  
(b) FRONT APPROACH, PUSH SIDE

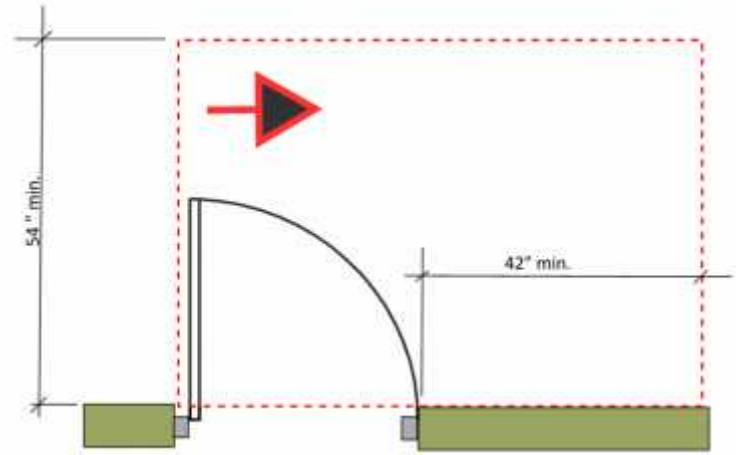


CITY OF ELKO

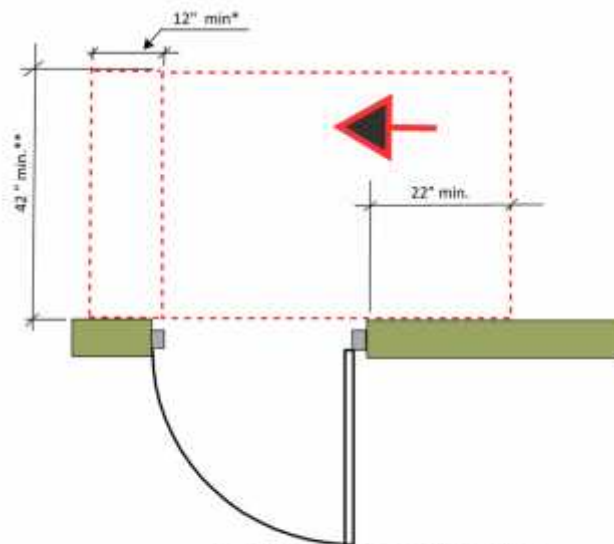
# Building Department



(c) HINGE APPROACH, PULL SIDE



(d) HINGE APPROACH, PULL SIDE



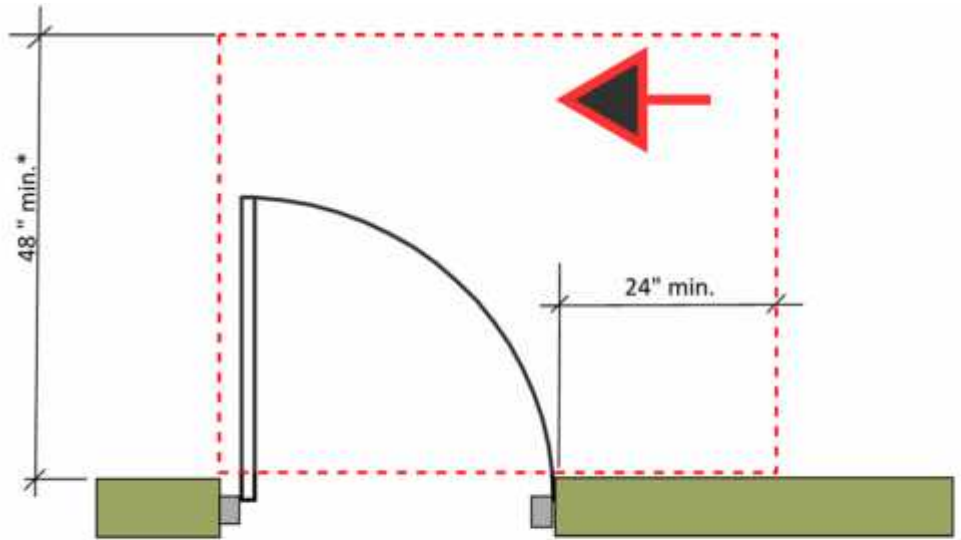
\* IF BOTH CLOSER AND LATCH ARE PROVIDED  
\*\* 48" MIN IF BOTH CLOSER AND LATCH ARE PROVIDED

(e) HINGE APPROACH, PUSH SIDE



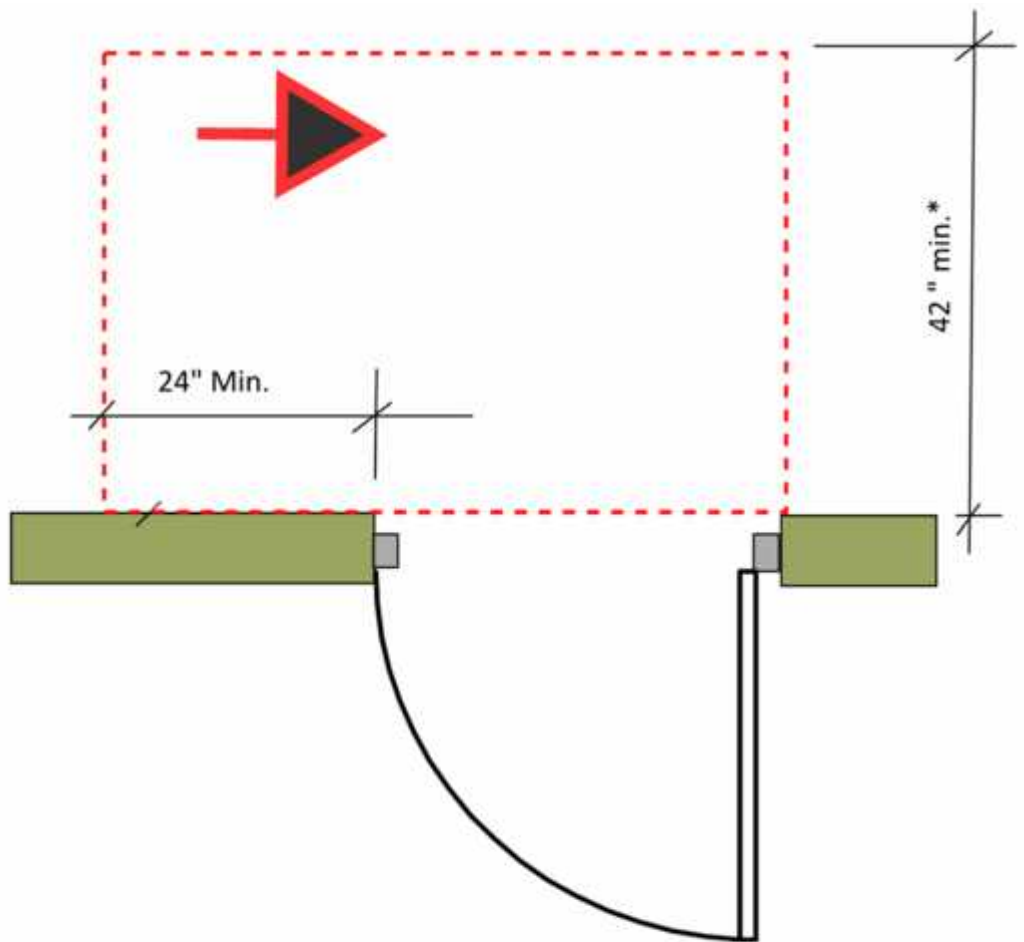
CITY OF ELKO

# Building Department



\*54" MIN IF CLOSER IS PROVIDED

(f) LATCH APPROACH, PULL SIDE



\*48" min if closer is provided

(g) LATCH APPROACH, PUSH SIDE

**The Building Department  
will be closed  
Monday, January 16th  
in observance of  
Martin Luther King, Jr Day.**



**CITY OF ELKO**

**Building Department**

---

**Need To Contact The City Building Department?**

**Building Official:**

**Ted Schnoor**

Phone: 775-777-7221

[building@elkocitynv.gov](mailto:building@elkocitynv.gov)

**Permit Technician:**

**Melaunie Larreau**

**Technical Assistant:**

**Janet Schwandt**

[jschwandt@elkocitynv.gov](mailto:jschwandt@elkocitynv.gov)

**Building Inspectors:**

**Jeff Ford**

[jford@elkocitynv.gov](mailto:jford@elkocitynv.gov)

**Layne Kenley**