



City of Elko  
City Clerk Department  
1751 College Avenue  
Elko, NV 89801  
(775) 777-7126  
FAX (775) 777-7129

**CITY OF ELKO  
WATER RECLAMATION FACILITY  
EMERGENCY DIESEL GENERATOR PROJECT PWP#EL-2018-071  
ADDENDUM NO. 3  
FEBRUARY 15, 2018**

---

Please confirm receipt of ADDENDUM NUMBER THREE AND FAX BACK TO (775) 777-7129 or email to cityclerk@elkocity.nv.gov.

RECEIVED:

\_\_\_\_\_  
SIGNATURE

\_\_\_\_\_  
COMPANY NAME

Dated this 15<sup>th</sup> day of February, 2018.

Elko City Clerk

Shanell Owen, MMC

**\*\*\* PLEASE NOTE RECEIPT OF ADDENDUM NUMBER THREE ON  
APPLICABLE LINE ON SUBMITTED BID PROPOSAL \*\*\***



City of Elko  
City Clerk Department  
1751 College Avenue  
Elko, NV 89801  
(775) 777-7126  
FAX (775) 777-7129

### ADDENDUM NO. 3

To

**WRF EMERGENCY DIESEL GENERATOR PROJECT - 2018**

**PWP#EL-2018-071**

**BID ADDENDUM NO. 3**

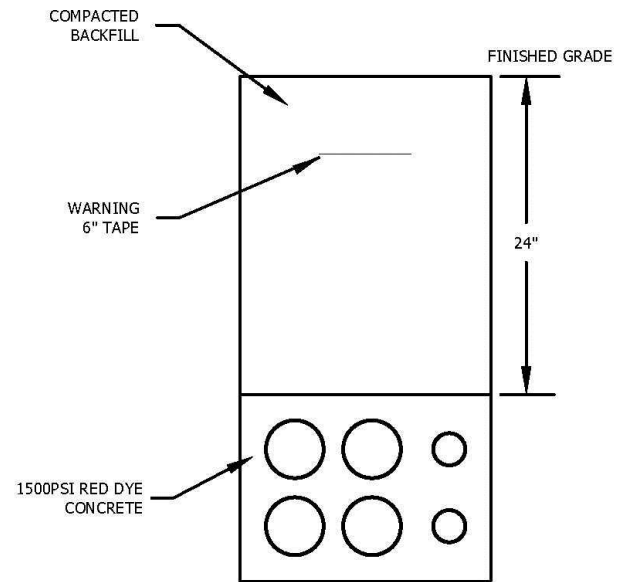
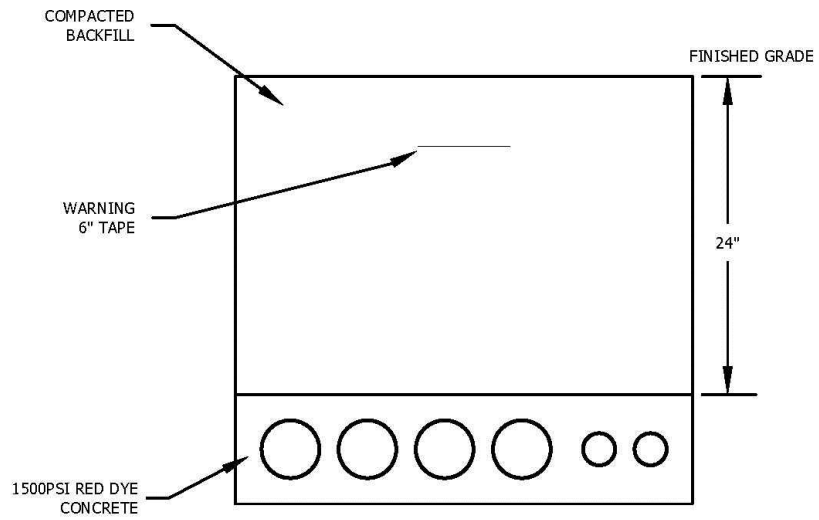
**FEBRUARY 15, 2018**

---

To all prospective bidders under the specifications to construct the WRF Emergency Diesel Generator Project-2018, for which the bids are to be received by the City of Elko, at the office of the Elko City Clerk located at 1751 College Avenue, Elko, Nevada 89801, until 3:00 P.M., local time, on Wednesday, February 21, 2018.

The following changes, deletions and additions are herein made and become a part of the Project Bidding Documents, Specifications and Plans for the above referenced Project:

1. Pre-bid meeting notes indicate "Old tank is to be removed"; please clarify which tank, including details on location, size of tank, and any piping, concrete pad, etc. that needs to be removed.  
**The existing outside fuel tank will need to be removed by the Contractor**
  - 1) Contractor to salvage the outside 1000-gallon emergency generator bulk fuel tank located approximately 25' east of the effluent building.
  - 2) Contractor to move the outside fuel tank to WRF laydown yard and place the fuel tank on rail road ties for storage.
  - 3) Contractor to remove/demo the outside fuel tank cement pad, disposing concrete on WRF site.
  - 4) Contractor to remove and dispose of bulk fuel tank old fuel lines above ground and cap below ground lines after draining.
  - 5) Contractor to remove and dispose of bulk fuel tank electrical power sources, wiring, above ground conduits, etc.
  - 6) Contractor to refresh ground disturbance from removing of bulk fuel tank.
  
2. On sheet E2, conduit installation detail indicates 6 conduits but the trench detail only shows 2. Please provide an updated trench detail so the trenching and concrete encasement can be properly estimated.  
**See COE WWTP Electrical Plan-Model on following page.**



TRENCH DETAIL TAKE YOUR PICK

SCALE: 1" = 1'

